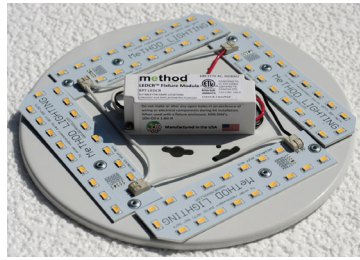


LEDCR 900 CLOUD SERIES

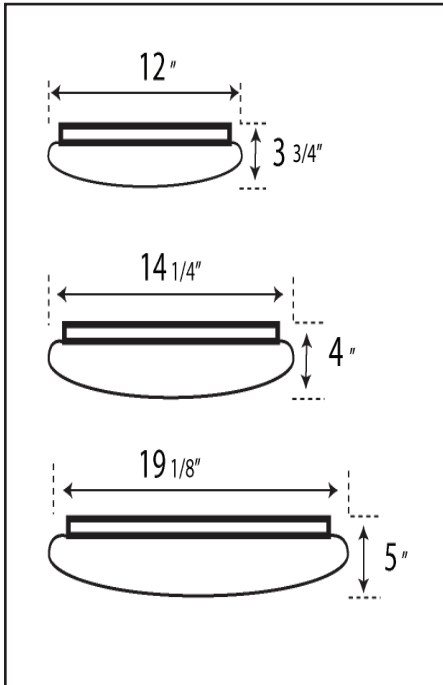


A sleek new contemporary shallow cloud LED luminaire with an elegant new LED formula lens for a higher light output.

Powered by **RemPhos LEDCR** **MUSHROOM**



Dimensional Data



Specifications

Diffuser	Smooth opal acrylic for a fully luminous source
Housing	Powder-coated white steel base
Light Color	Warm White, Neutral White, or Cool White
Color Temperature	3,000°K, 4,000°K, 5,000°K
Color Rendering Index	80+
Bulb Shape	LEDCR
Brightness	900-3000 Lumens
Efficacy	>80 lumens/watt
Electrical	89% efficient UL recognized internal driver, LM80 LEDs
Power (Watts)	7-27W
Input Voltage	120-277 V
L70 Lifetime	50,000 hours
Rating	ETL Damp, Energy Star, FCC
Benefit of LED	No hum, no flicker, no mercury
Energy Savings	>65% over Fluorescent

Ordering Information

Catalog#	Size	Light Output	Watts	Color Temp
LEDCR9011/7W**	11 inch	900lm	7W	3000K standard
LEDCR9011**	11 inch	1600lm	12W*	3000K standard
LEDCR9014/12**	14 inch	1600lm	12W*	3000K standard
LEDCR9014**	14 inch	2200lm	18W*	3000K standard
LEDCR9019/18W	19 inch	2200lm	18W*	3000K standard
LEDCR9019/27W	19 inch	3000lm	27W	3000K standard

* In-stock items ** Meets ADA requirements

Options

DIM	0-10V dimmable	MOC	Microwave Occupancy Sensor
------------	----------------	------------	----------------------------

