

# LED ABINGTON Series



Abington Series architectural vandal resistant, polycarbonate specification grade enclosures for outdoor lighting.



Powered by **RemPhos LEDCR**



Open Guard

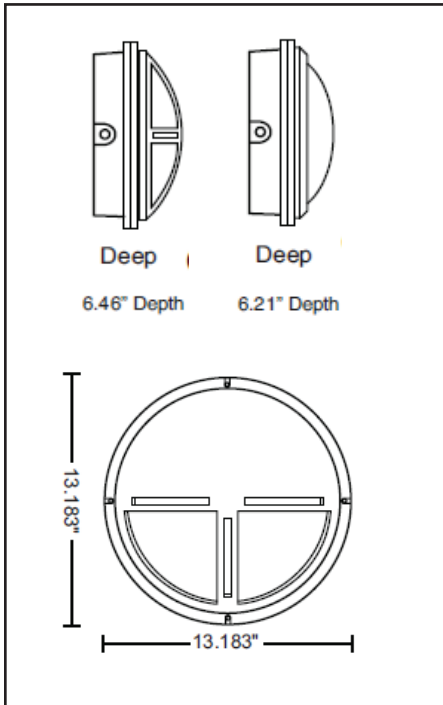
Cross Guard

Eyelid Guard

RoHS compliant



## Dimensional Data



## Specifications

<b>Diffuser</b>	One piece, 0.125" injection molded lens with radial prisms. The outside of the lens is slightly textured to reduce glare. Lenses are molded from UV- stabilized Polycarbonate. Integral weep holes in guard allow for draining.
<b>Housing</b>	Die Cast one piece Marine Grade Aluminum
<b>Color Rendering Index</b>	80+
<b>Bulb Shape</b>	LEDCR
<b>Brightness</b>	900-3000 Lumens
<b>Efficacy</b>	>80 Lumens/watt
<b>Electrical</b>	89% efficient UL recognized internal driver, LM80 LEDs
<b>Power (Watts)</b>	7-27W
<b>Input Voltage</b>	120-277 V
<b>L70 Lifetime</b>	50,000 hours
<b>Benefit of LED</b>	No hum, no flicker, no mercury
<b>Energy Savings</b>	>65% over Fluorescent
<b>Rating</b>	ETL Damp, Energy Star, FCC

## Ordering Information

Catalog#	Size	Light Output	Watts	Color Temp	Guard
ABIB900FR7*	13.183"	900LM	7	3000K	OG/Open guard
ABIB1600FR12*	13.183"	1600LM	12	3000K	CG/Cross guard
ABIB2200FR18*	13.183"	2200LM	18	3000K	EG/Eyelid guard
ABIB3000FR27*	13.183"	3000LM	27	3000K	

Example: ABIB900FR7OG (open guard) Also available in 4000K, 5000K

## Options

<b>Exterior Finishes</b>	<b>Lens Finishes</b>
Black is in stock	FR (frosted ribbed) is in stock
Also available in, white (W), titanium (T), or bronze(Z).	Also available in, clear ribbed(CR) & translucent white(TW)

