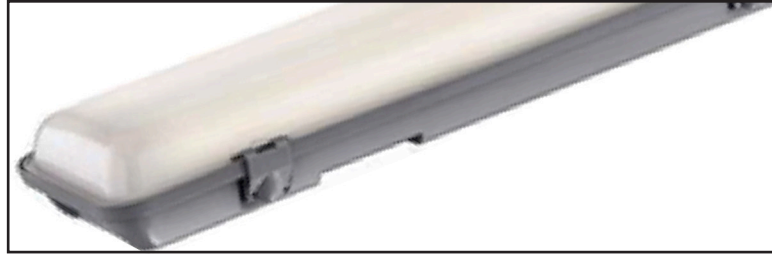


LED BERKSHIRE Series



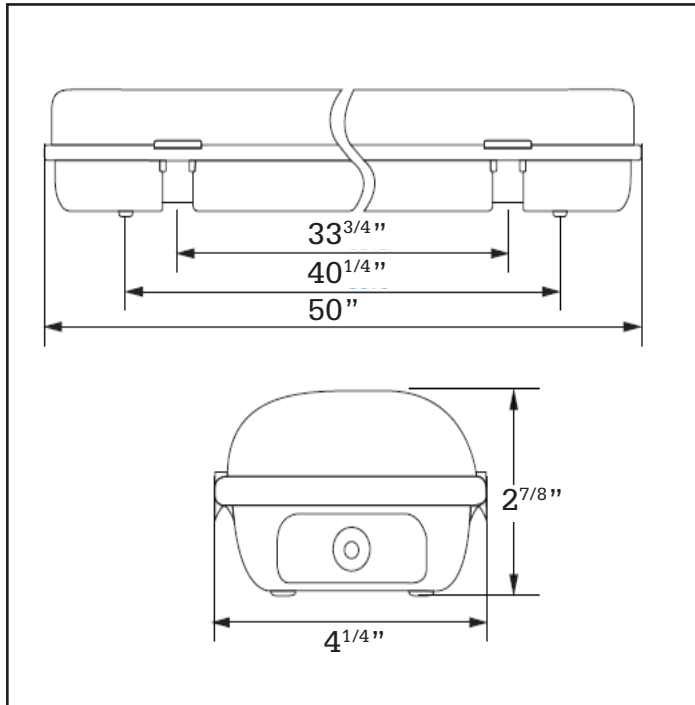
LED Berkshire Series is a narrow vaportite for service in areas subject to moisture and chemicals. Ideally suited for food processing and parking garages as well.



RoHS compliant



Dimensional Data



Specifications

Housing	Injection molded Polycarbonate (PC) with 10 stainless latches.
Lens	High transmission PC
Body Color	Gray
Mounting	Surface Mount
Lumens	1600/3750
CRI	80
CCT	4000K/5000K RoHS Compliant
Wattage	16W/36W
Driver	Electronic Driver, 120-277V, 50/60Hz
Safety:	ETL/cETL IP65
Operation Temp	-30C~45C
DLC Listed:	Pending

Ordering Information

Catalog#	Input Volt	Input Watt	LED CT	CRI	LUMENS	SIZE
BH24DX-16W-4000K	120V-277V	16W	4000K	80	1600	2'
BH24DX-16W-5000K	120V-277V	16W	5000K	80	1750	2'
BH48DX-36W-4000K	120V-277V	33W	4000K	80	3500	4'
BH48DX-36W-5000K	120V-277V	33W	5000K	80	3750	4'

