

# LED LEVERETT Series



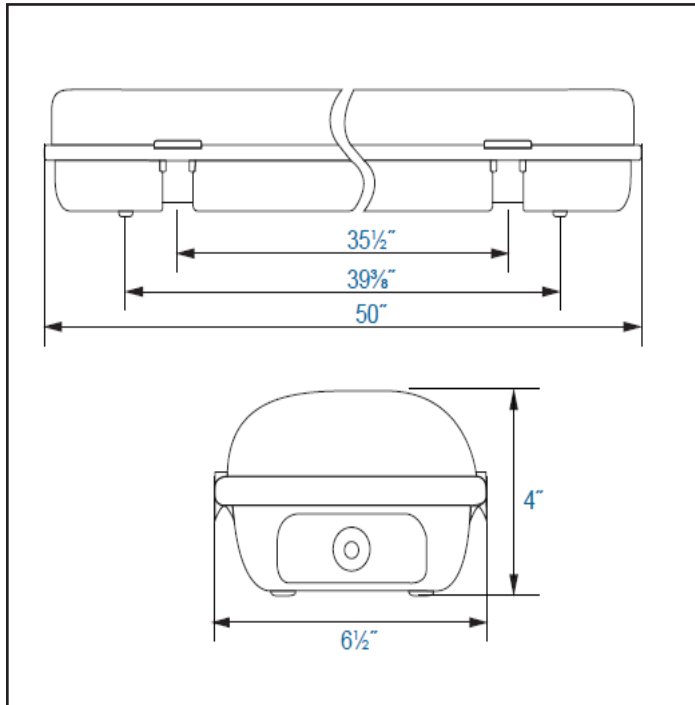
LED Leverett Series is designed for heavy duty service in areas subjected to moisture and chemicals. Ideally suited for food processing areas as well.



RoHS  
compliant



## Dimensional Data



## Specifications

<b>Housing</b>	Gray Polycarbonate Body with 8 -Stainless Clips
<b>Lens</b>	Polycarbonate Opal Lens
<b>Body Color</b>	Gray
<b>Mounting</b>	Surface Mount.
<b>Lumens</b>	2000 & 4014
<b>CRI</b>	80+
<b>CCT</b>	5000K RoHS Compliant
<b>Wattage</b>	21W & 42W
<b>Driver</b>	Electronic Dimmable Driver, 120-277V, 50/60Hz
<b>Listings/Rating</b>	ETL listed, wet location IP65, DLC

## Ordering Information

Catalog#	Size	Light Output	Watts	Color Temp
LEDLV2PS21U5KG	26" x 6.5"	2000LM	21W	5000K
LEDLV4PS42U5KG	50" x 6.5"	4014LM	42W	5000K

## Options

OC = Occupancy Sensor

