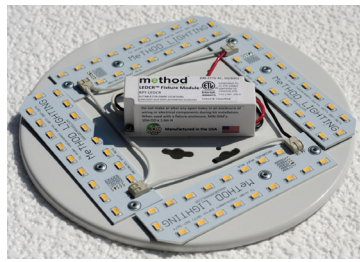


LED LEXINGTON Series



Lexington Series architectural Vandal Polycarbonate enclosures, a spec grade quality all Polycarbonate Luminaire for outdoor lighting.

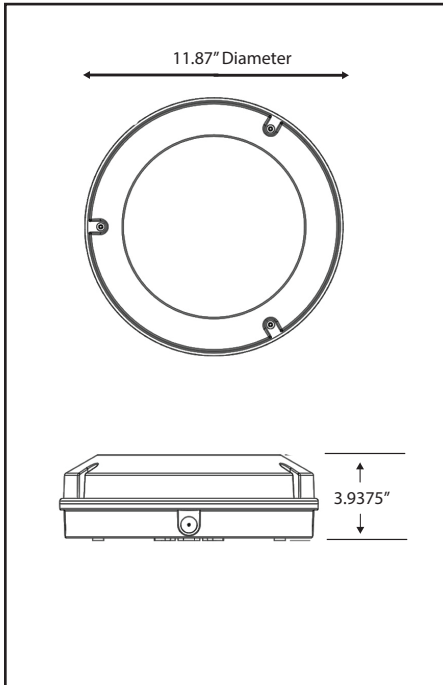
Powered by **RemPhos LEDCR**



RoHS compliant



Dimensional Data



Specifications

Diffuser/HSG	Injection molded from UV stabilized polycarbonate, to specification grade thickness. The high transmission frosted prismatic lens features an integral installed gasket, and lens attachment points are also gasketed via grommets.
Color Rendering Index	80+
Bulb Shape	LEDCR
Brightness	900-3000 Lumens
Efficacy	>80 Lumens/watt
Electrical	89% efficient UL recognized internal driver, LM80 LEDs
Power (Watts)	7-27W
Input Voltage	120-277 V
L70 Lifetime	50,000 hours
Benefit of LED	No hum, no flicker, no mercury
Energy Savings Rating	>65% over Fluorescent ETL Damp, Energy Star, FCC

Ordering Information

Catalog#	Size	Light Output	Watts	Color Temp
LEX1290/7W**	12 inch	900lm	7W	3000K standard
LEX1216/12W**	12 inch	1600lm	12W*	3000K standard
LEX1222/18W**	12 inch	2200lm	18W*	3000K standard
LEX1230/27W**	12 inch	3000lm	27W*	3000K standard

Also available in 4000K, 5000K

* In-stock items ** Meets ADA requirements

Options

DIM 0-10V dimmable	MOC Microwave Occupancy Sensor
BODY Black or *White Base	LENS White or Clear
	GASKET Rear Foam Gasket

